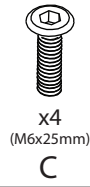
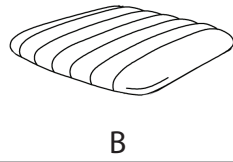


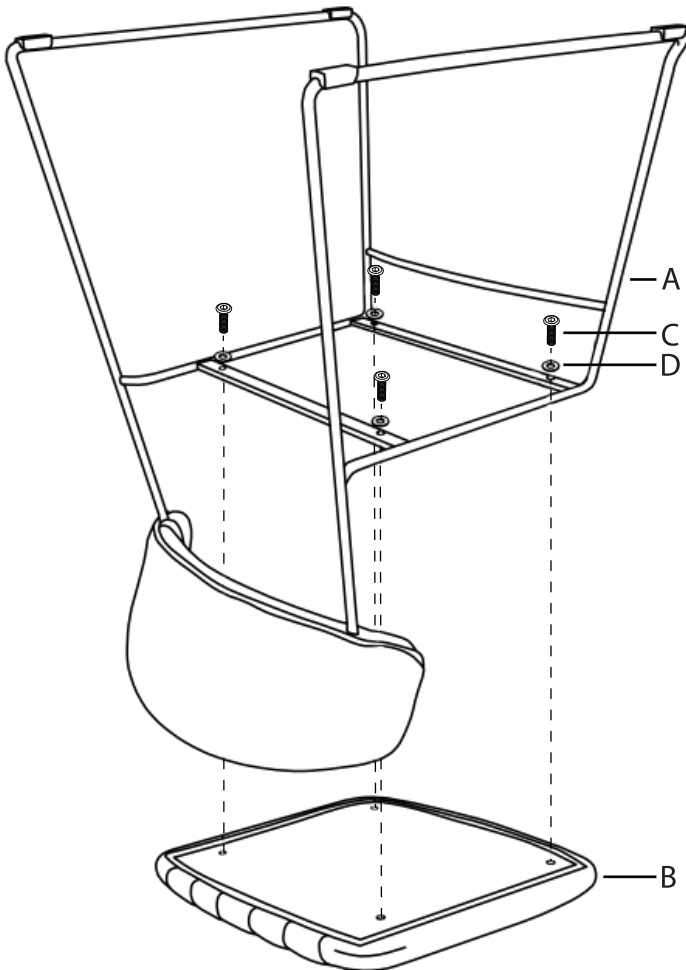
Part # CH-THOMAS XXXX

19-0322

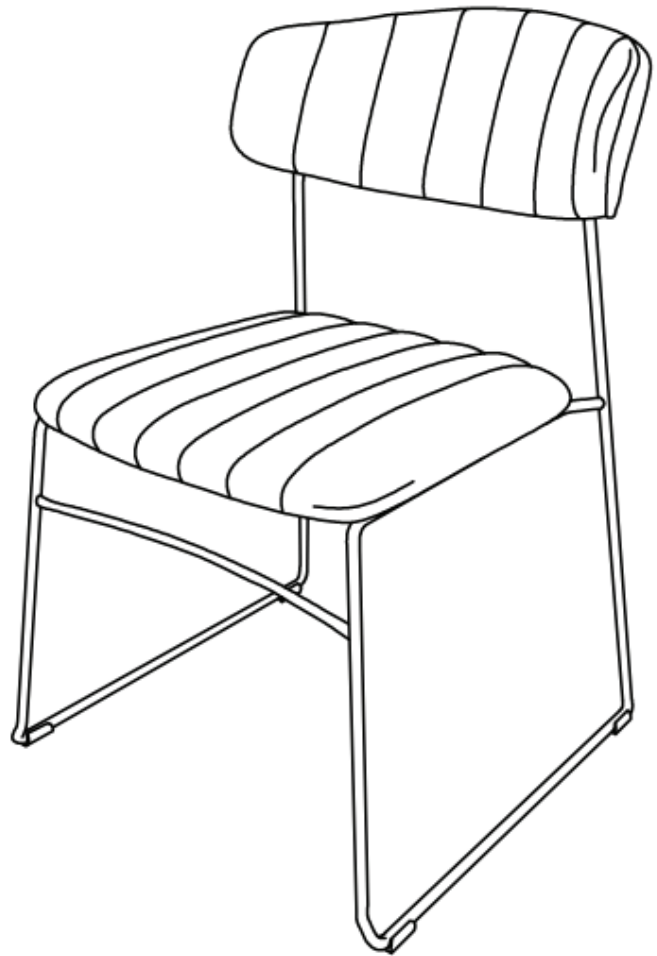
PARTS



1



2



Do not over tighten.
 Do not use power tools to assemble.